

# eliwell

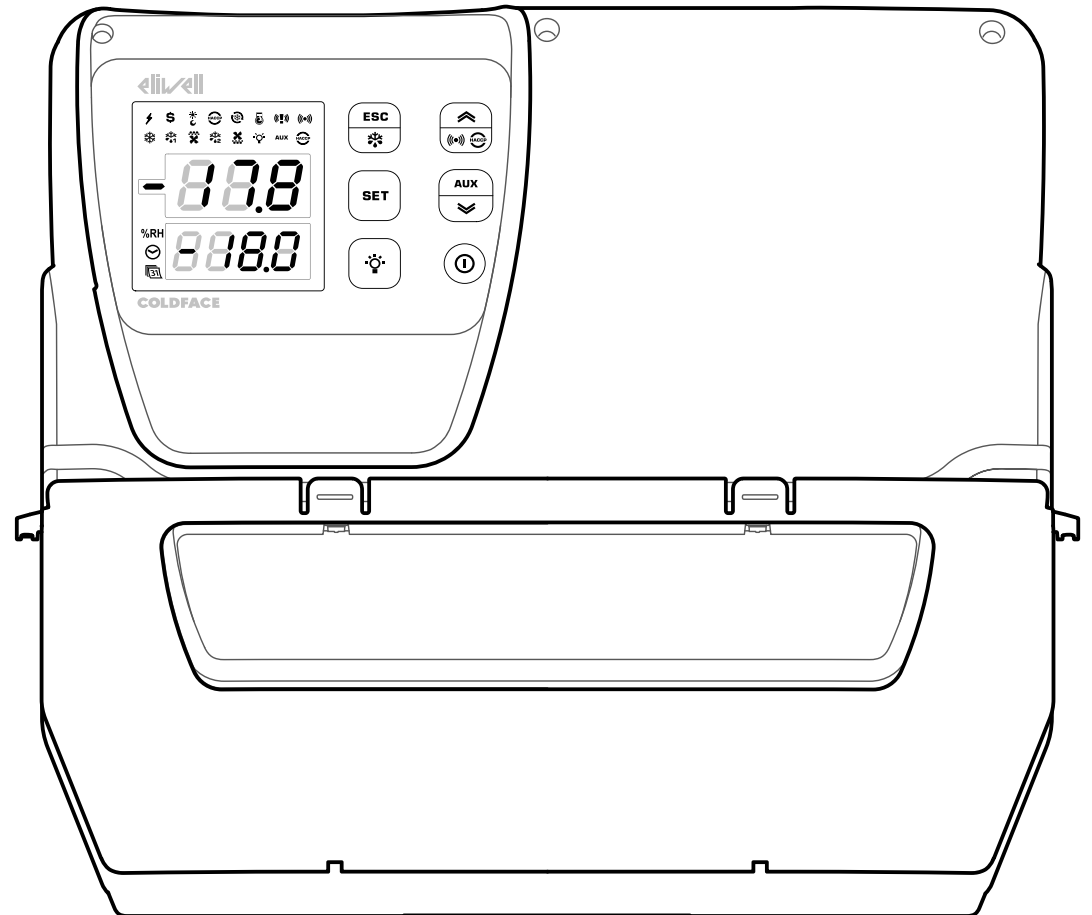
by Schneider Electric

## EWRC 5010/5030

mod. 9-10-11

Hardware Guide - Attachments  
Manuale d'istruzioni - Allegati  
v. 1.0 9MA10287 | 10/17

Original instructions / Istruzioni originali





## Wiring diagram / Schema elettrico

Any modification to the original factory configuration requires compliance with the directives.  
Qualsiasi modifica alla configurazione originale di fabbrica richiede la verifica di conformità alle direttive.

### **DANGER / PERICOLO**

#### **HAZARD OF ELECTRIC SHOCK, EXPLOSION OR ARC FLASH**

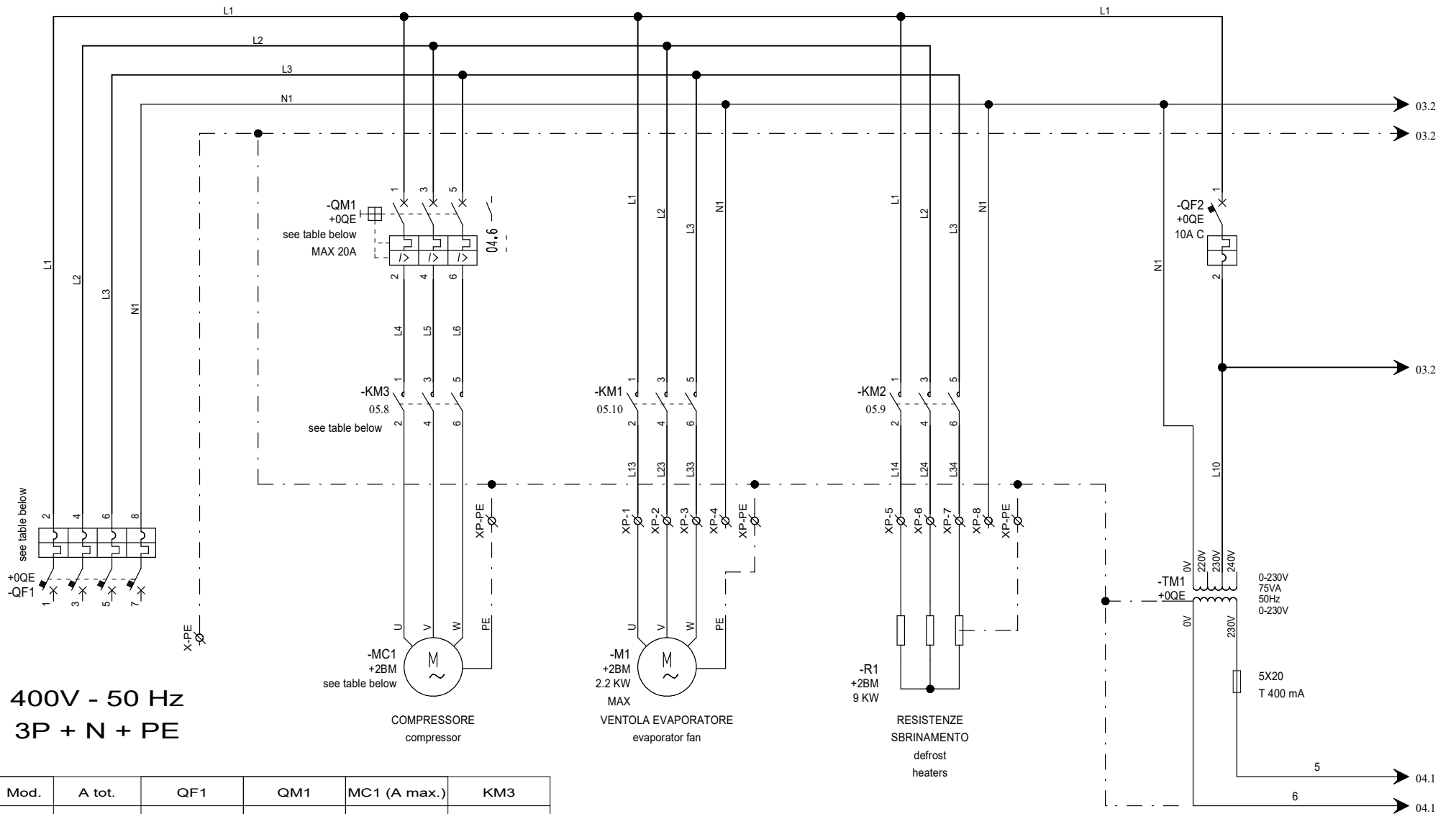
Verify compliance with the directives after any modification to the original electrical board configuration.

**Failure to follow these instructions will result in death or serious injury.**

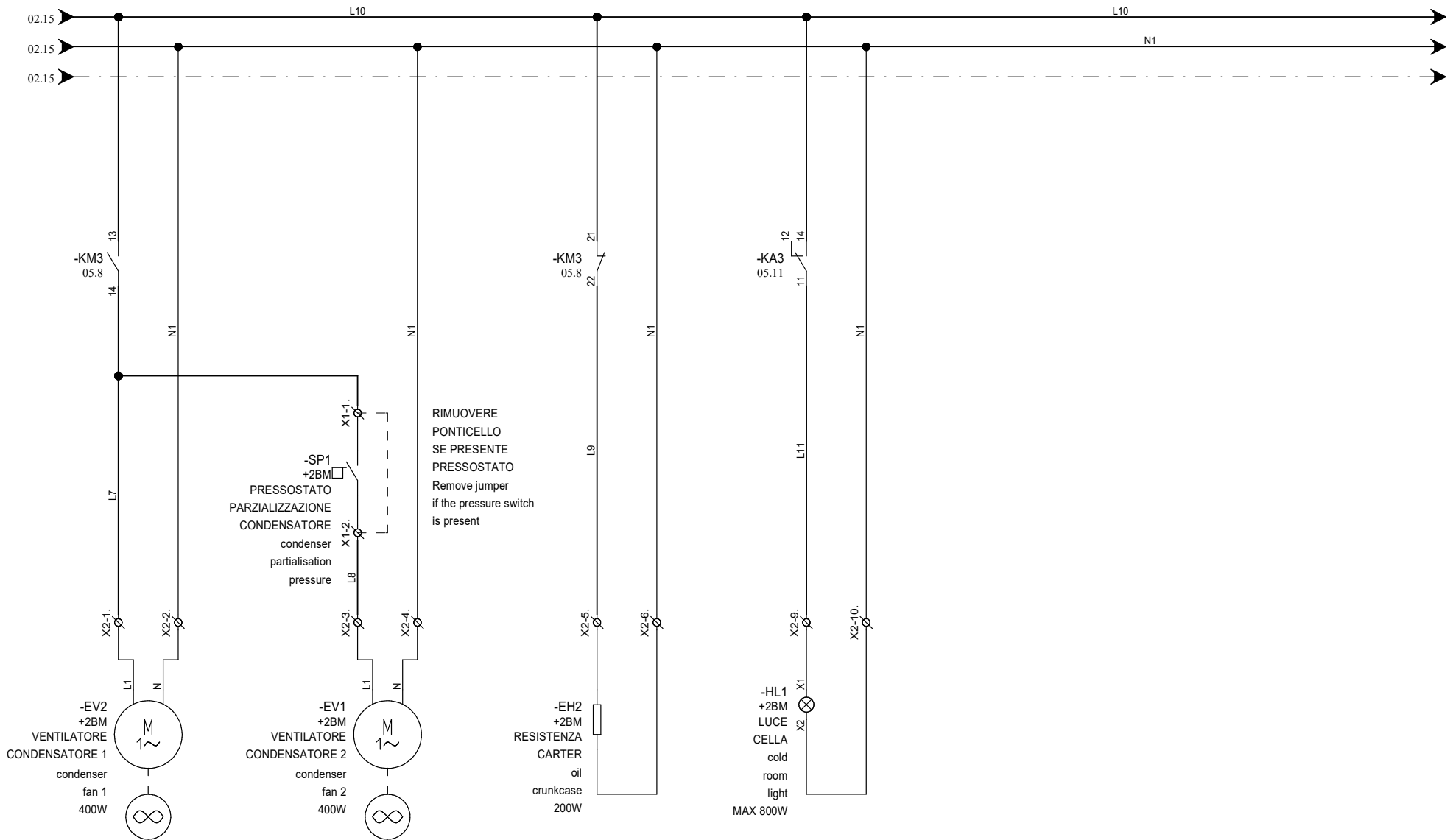
#### **RISCHIO DI SHOCK ELETTRICO, ESPLOSIONE O ARCO ELETTRICO**

Verificare la conformità alle direttive dopo qualsiasi modifica alla configurazione originale del quadro elettrico.

**Il mancato rispetto di queste istruzioni provocherà morte o gravi infortuni.**

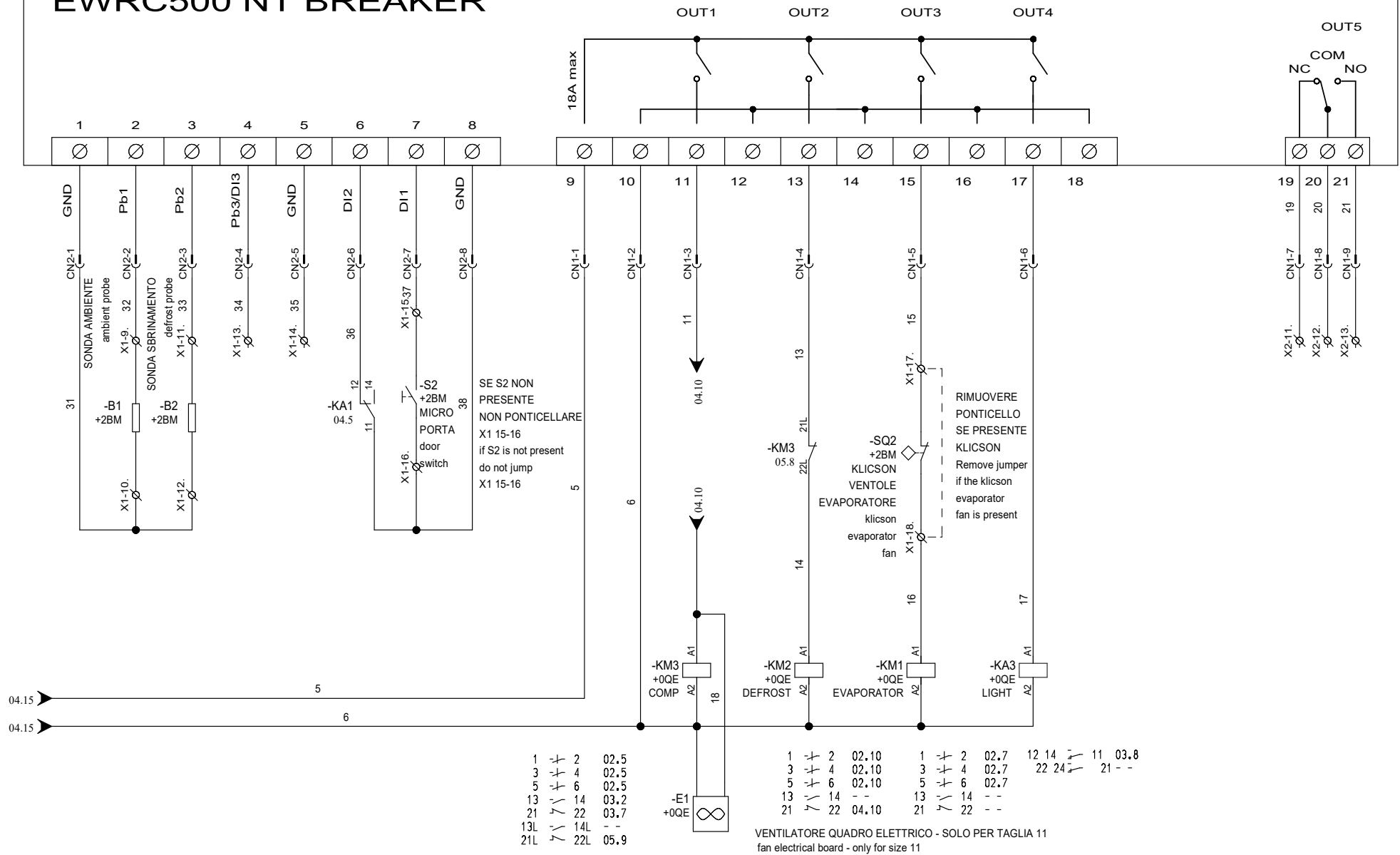


| Mod. | A tot. | QF1      | QM1   | MC1 (A max.) | KM3      |
|------|--------|----------|-------|--------------|----------|
| 9    | 50A    | A9F79450 | 21110 | 9-14 A       | LC1D18P7 |
| 10   | 50A    | A9F79450 | 21111 | 13-18 A      | LC1D18P7 |
| 11   | 50A    | A9F79450 | 21112 | 17-20 A      | LC1D25P7 |
|      |        |          |       |              |          |





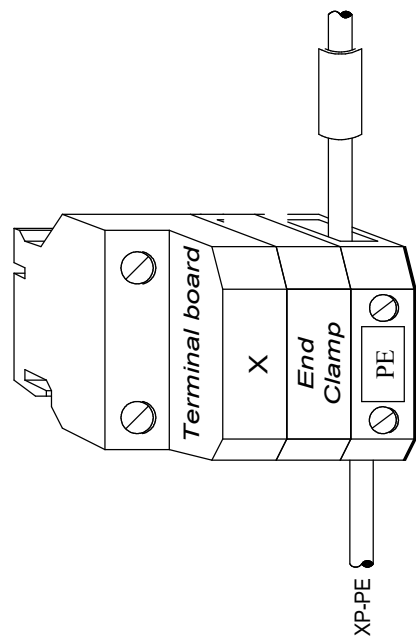
# EWRC500 NT BREAKER





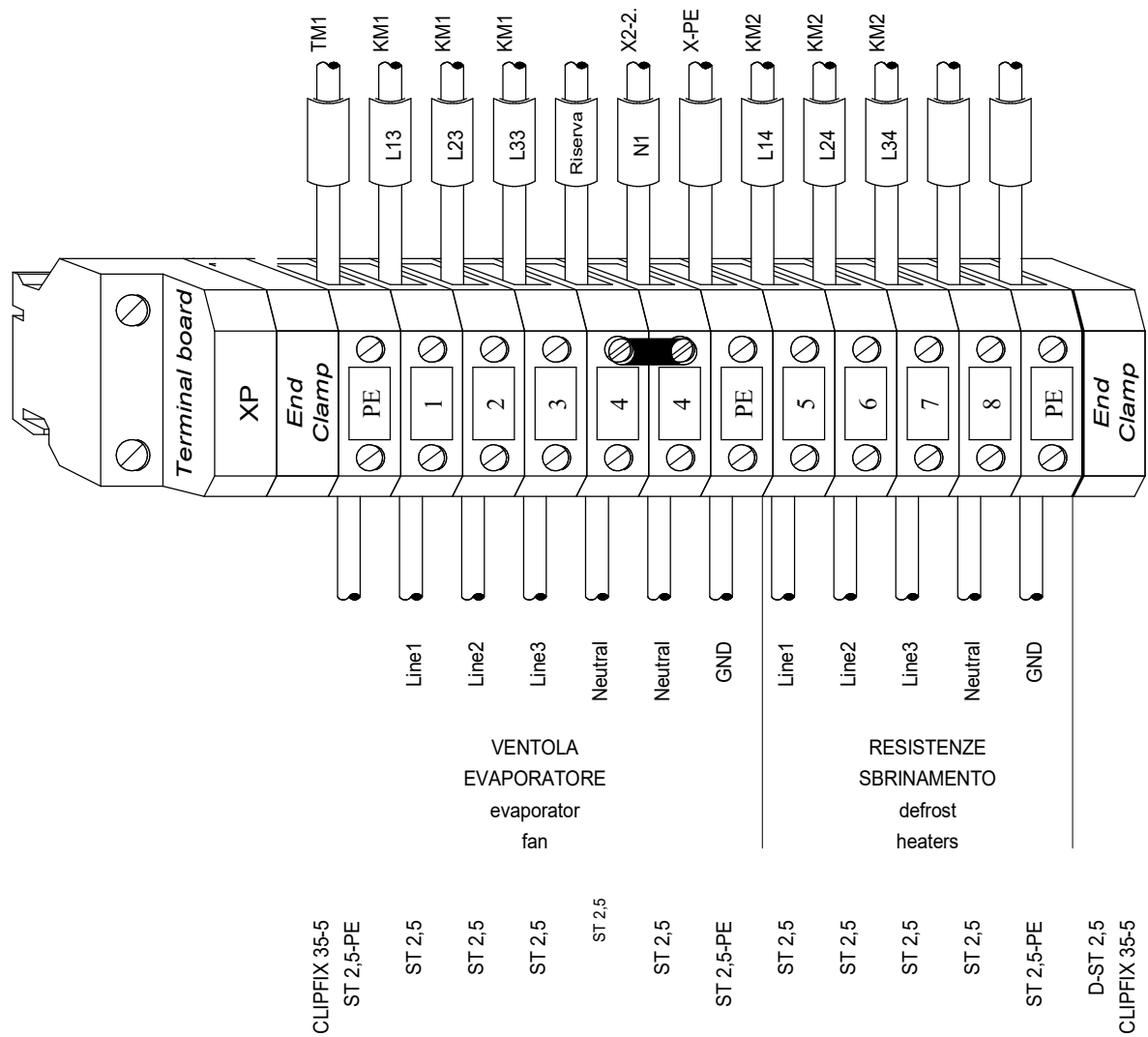


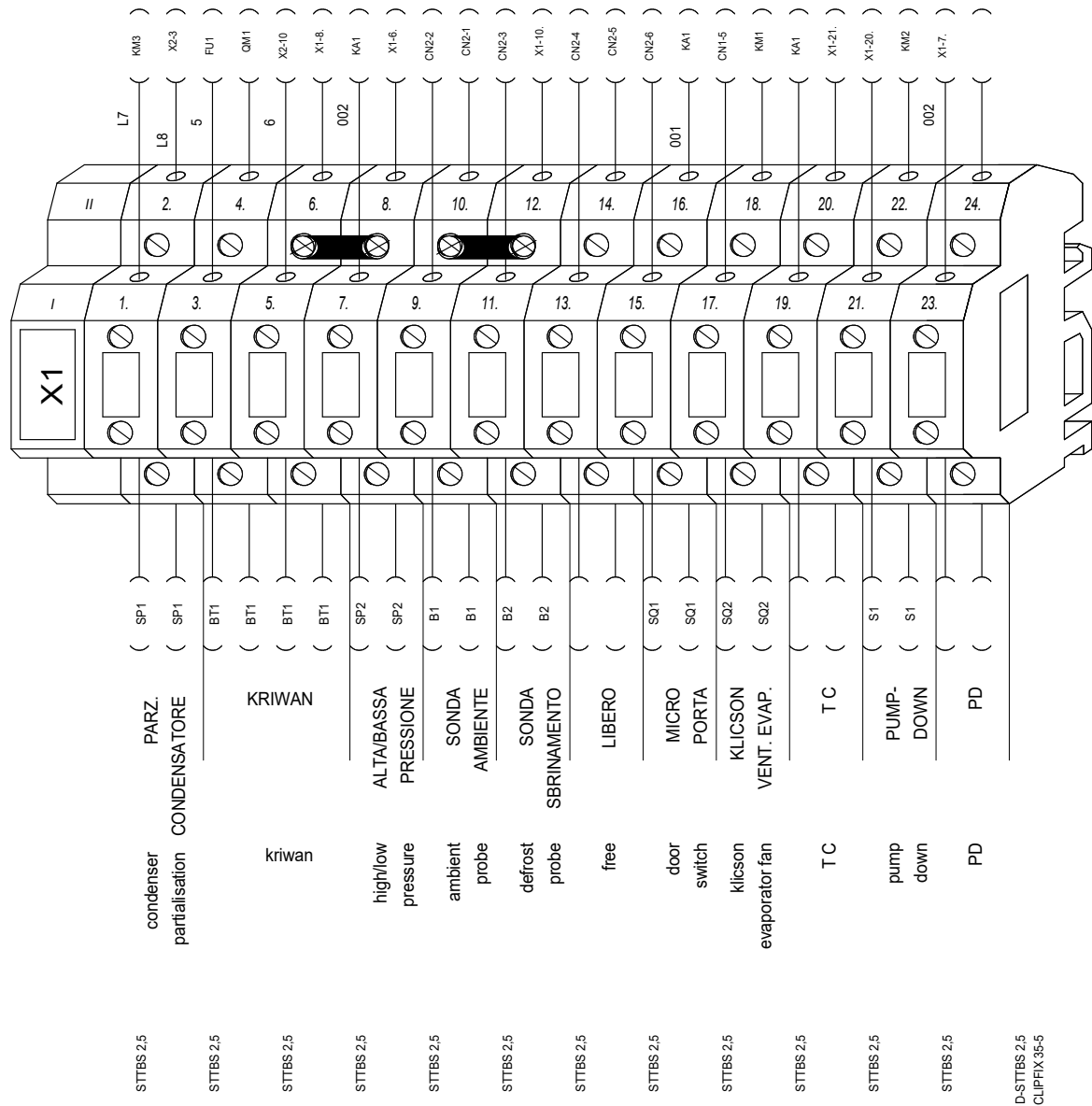
## Inputs and outputs terminal blocks / Morsettiere degli ingressi e delle uscite



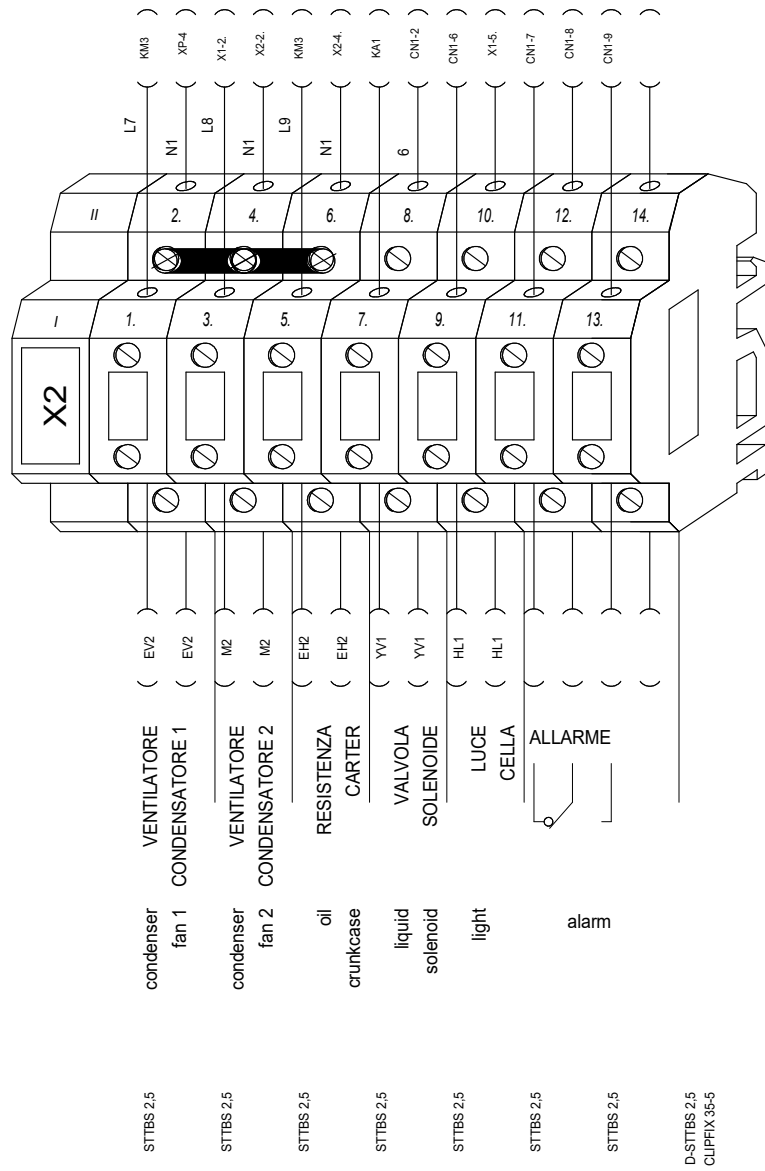
CLIPFIX 35-5  
UT10-PE

D-UT2,5/10





D-STTBS 2.5  
CLIPFIX 35-5



# Part List / Elenco materiali

| DISTINTA MATERIALI / PART LIST |  |                   |                            |             |             |             |             |
|--------------------------------|--|-------------------|----------------------------|-------------|-------------|-------------|-------------|
| Sigla / ID                     | Descrizione / Description  | Codice / Code     | Costruttore / Manufacturer | Loc. / Loc. | Q.tà / Q.ty | Note / Note | Pos. / Pos. |
| A1                             | CONTROLORE ELETTRONICO / ELECTRONIC CONTROLLER                                   | EWRC500NT         | SCHNEIDER                  | 0QE         | 1           |             | 05.1        |
| C1                             | CANALINA 40X60 / CABLE RUN 40X60   | 04180081          | CON                        | 0QE         | 1           |             | 06.         |
| G1                             | GUIDA DIN 35X7 FORATA / DIN BAR 35X7   | 04180089          | CON                        | 0QE         | 1           |             | 06.         |
| G2                             | GUIDA DIN 35X7 FORATA / DIN BAR 35X7   | 04180089          | CON                        | 0QE         | 1           |             | 06.         |
| G3                             | GUIDA DIN 35X7 FORATA / DIN BAR 35X7   | 04180089          | CON                        | 0QE         | 1           |             | 06.         |
| G4                             | GUIDA DIN 35X7 FORATA / DIN BAR 35X7   | 04180089          | CON                        | 0QE         | 1           |             | 06.         |
| KA1                            | RELE' 240VAC 2 SC / RELAIS 240VAC 2SC  | RSB2A080P7S       | SCHNEIDER                  | 0QE         | 1           |             | 04.5        |
| KA3                            | RELE' 240VAC 2 SC / RELAIS 240VAC 2SC  | RSB2A080P7S       | SCHNEIDER                  | 0QE         | 1           |             | 05.11       |
| KM1                            | CONTATTORE 9A AC3 230VAC / CONTACTOR 9A AC3 230VAC                               | LC1D09P7          | SCHNEIDER                  | 0QE         | 1           |             | 05.10       |
| KM2                            | CONTATTORE 9A AC3 230VAC / CONTACTOR 9A AC3 230VAC                               | LC1D09P7          | SCHNEIDER                  | 0QE         | 1           |             | 05.9        |
| KM3                            | CONTATTORE xA AC3 230VAC / CONTACTOR xA AC3 230VAC                               | LC1DxP7 (x=18/25) | SCHNEIDER                  | 0QE         | 1           | see page 2  | 05.8        |
| KM3                            | CONTATTO AUSILIARIO LATERALE 1NO/1NC<br>LATERAL AUXILIARY CONTACT 1NO/1NC        | LAD8N11           | SCHNEIDER                  | 0QE         | 1           |             | 05.8        |
| QF1                            | INT. AUT. / AUTOMATIC SWITCH MULTI9 C60N C 50A 4P 10kA                           | A9F79450          | SCHNEIDER                  | 0QE         | 1           |             | 02.1        |
| QF2                            | INT. AUT. / AUTOMATIC SWITCH MULTI9 C60N C 10A 1P 10kA                           | A9F79110          | SCHNEIDER                  | 0QE         | 1           |             | 02.13       |
| QM1                            | PROTEZIONE MOTORE / MOTOR PROTECTION P25M  | 211x (x=10/11/12) | SCHNEIDER                  | 0QE         | 1           | see page 2  | 02.5        |
| QM1                            | CONTATTO AUSILIARIO LATERALE   | 21116             | SCHNEIDER                  | 0QE         | 1           |             | 02.5        |
| TM1                            | TRASFORMATORE 75VA 0-220-230-240/0-230V<br>TRANSFORMER 75VA 0-220-230-240/0-230V | 075D5D            | BOTTER                     | 0QE         | 1           |             | 02.13       |
| E1                             | VENTOLA / FAN 230Vac 50/60 Hz min 18CFM  | MA2062-HVL.GN     | SUNON                      | 0QE         | 1           |             | 05.08       |

## DISTINTA MORSETTI / TERMINAL BOARD LIST

| Sigla / ID    | Descrizione / Description | Codice / Code | Costruttore / Manufacturer | Loc. / Loc. | Q.tà / Q.ty | Note / Note | Pos. / Pos. |
|---------------|---------------------------|---------------|----------------------------|-------------|-------------|-------------|-------------|
| X-F1-F2-F3-F4 | CLIPFIX 35-5              | 3022276       | PHOENIX                    | 0QE         | 5           |             | 07.3        |
| X-            | D-UT2,5/10                | 3047028       | PHOENIX                    | 0QE         | 1           |             | 07.4        |
| X1-           | CLIPFIX 35-5              | 3022276       | PHOENIX                    | 0QE         | 1           |             | 09.2        |
| X1-           | D-STTBS 2,5               | 3038503       | PHOENIX                    | 0QE         | 1           |             | 09.9        |
| X1-           | CLIPFIX 35-5              | 3022276       | PHOENIX                    | 0QE         | 1           |             | 09.9        |
| X1-1.         | STTBS 2,5                 | 3038464       | PHOENIX                    | 0QE         | 1           |             | 09.2        |
| X1-11.        | STTBS 2,5                 | 3038464       | PHOENIX                    | 0QE         | 1           |             | 09.5        |
| X1-13.        | STTBS 2,5                 | 3038464       | PHOENIX                    | 0QE         | 1           |             | 09.6        |
| X1-15.        | STTBS 2,5                 | 3038464       | PHOENIX                    | 0QE         | 1           |             | 09.6        |
| X1-17.        | STTBS 2,5                 | 3038464       | PHOENIX                    | 0QE         | 1           |             | 09.7        |
| X1-19.        | STTBS 2,5                 | 3038464       | PHOENIX                    | 0QE         | 1           |             | 09.8        |
| X1-21.        | STTBS 2,5                 | 3038464       | PHOENIX                    | 0QE         | 1           |             | 09.8        |
| X1-23.        | STTBS 2,5                 | 3038464       | PHOENIX                    | 0QE         | 1           |             | 09.9        |
| X1-3.         | STTBS 2,5                 | 3038464       | PHOENIX                    | 0QE         | 1           |             | 09.3        |
| X1-5.         | STTBS 2,5                 | 3038464       | PHOENIX                    | 0QE         | 1           |             | 09.4        |
| X1-7.         | STTBS 2,5                 | 3038464       | PHOENIX                    | 0QE         | 1           |             | 09.4        |
| X1-9.         | STTBS 2,5                 | 3038464       | PHOENIX                    | 0QE         | 1           |             | 09.5        |
| X2-           | D-STTBS 2,5               | 3038503       | PHOENIX                    | 0QE         | 1           |             | 10.6        |
| X2-           | CLIPFIX 35-5              | 3022276       | PHOENIX                    | 0QE         | 1           |             | 10.6        |
| X2-1.         | STTBS 2,5                 | 3038464       | PHOENIX                    | 0QE         | 1           |             | 10.2        |
| X2-11.        | STTBS 2,5                 | 3038464       | PHOENIX                    | 0QE         | 1           |             | 10.5        |
| X2-13.        | STTBS 2,5                 | 3038464       | PHOENIX                    | 0QE         | 1           |             | 10.6        |
| X2-3.         | STTBS 2,5                 | 3038464       | PHOENIX                    | 0QE         | 1           |             | 10.3        |
| X2-5.         | STTBS 2,5                 | 3038464       | PHOENIX                    | 0QE         | 1           |             | 10.3        |
| X2-7.         | STTBS 2,5                 | 3038464       | PHOENIX                    | 0QE         | 1           |             | 10.4        |
| X2-9.         | STTBS 2,5                 | 3038464       | PHOENIX                    | 0QE         | 1           |             | 10.4        |
| XP-           | CLIPFIX 35-5              | 3022276       | PHOENIX                    | 0QE         | 1           |             | 08.3        |
| XP-           | D-ST 2,5                  | 3030417       | PHOENIX                    | 0QE         | 1           |             | 08.8        |
| XP-           | CLIPFIX 35-5              | 3022276       | PHOENIX                    | 0QE         | 1           |             | 08.8        |
| XP-1          | ST 2,5                    | 3031212       | PHOENIX                    | 0QE         | 1           |             | 08.4        |
| XP-2          | ST 2,5                    | 3031212       | PHOENIX                    | 0QE         | 1           |             | 08.4        |
| XP-3          | ST 2,5                    | 3031212       | PHOENIX                    | 0QE         | 1           |             | 08.5        |
| XP-4          | ST 2,5                    | 3031212       | PHOENIX                    | 0QE         | 1           |             | 08.5        |
| XP-5          | ST 2,5                    | 3031212       | PHOENIX                    | 0QE         | 1           |             | 08.6        |
| XP-6          | ST 2,5                    | 3031212       | PHOENIX                    | 0QE         | 1           |             | 08.6        |
| XP-7          | ST 2,5                    | 3031212       | PHOENIX                    | 0QE         | 1           |             | 08.7        |
| XP-8          | ST 2,5                    | 3031212       | PHOENIX                    | 0QE         | 1           |             | 08.7        |
| X-PE          | UT10-PE                   | 3044173       | PHOENIX                    | 0QE         | 1           |             | 07.3        |
| XP-PE         | ST 2,5-PE                 | 3031238       | PHOENIX                    | 0QE         | 1           |             | 08.3        |
| XP-PE         | ST 2,5-PE                 | 3031238       | PHOENIX                    | 0QE         | 1           |             | 08.5        |



**EWRC 5010/5030**

Hardware Guide - Attachments

Manuale d'istruzioni - Allegati

9MA10287 v. 1.0 EN/IT 10/17

© 2017 Eliwell Controls srl

**Eliwell Controls srl**

Via dell'Industria, 15 • Z.I. Paludi

32016 Alpago (BL) ITALY

T +39 0437 986 111

[www.eliwell.com](http://www.eliwell.com)

**Technical Support  
Supporto Tecnico Clienti**

T +39 0437 986 300

E [techsuppeliwell@schneider-electric.com](mailto:techsuppeliwell@schneider-electric.com)

**Sales / Ufficio commerciale**

T +39 0437 986 100 (Italy / Italia)

+39 (0) 437 986 200 (other countries / altri paesi)

E [saleseliwell@schneider-electric.com](mailto:saleseliwell@schneider-electric.com)