

# eliwell

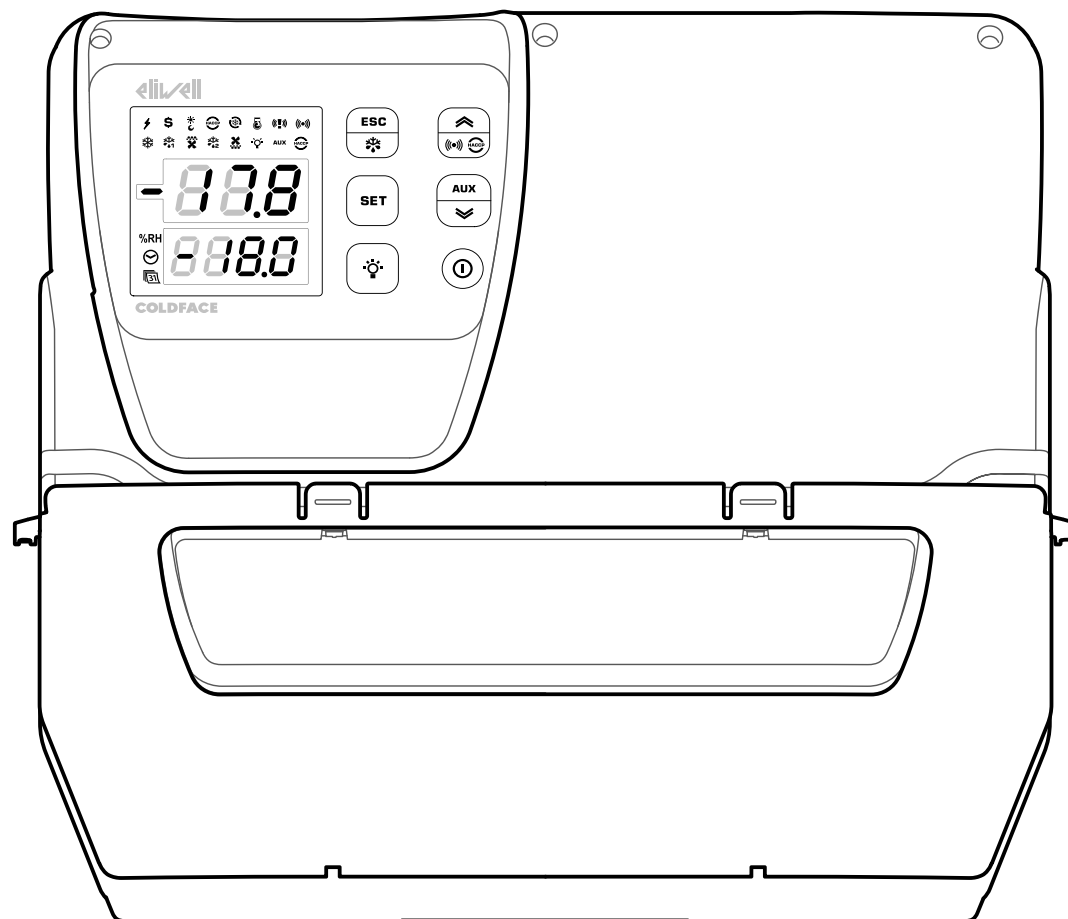
by Schneider Electric

## EWRC 5010/5030

mod. 2-3-4-5

Hardware Guide - Attachments  
Manuale d'istruzioni - Allegati  
v. 1.0 9MA10285 | 10/17

Original instructions / Istruzioni originali





## Wiring diagram / Schema elettrico

Any modification to the original factory configuration requires compliance with the directives.  
Qualsiasi modifica alla configurazione originale di fabbrica richiede la verifica di conformità alle direttive.

### **DANGER / PERICOLO**

#### **HAZARD OF ELECTRIC SHOCK, EXPLOSION OR ARC FLASH**

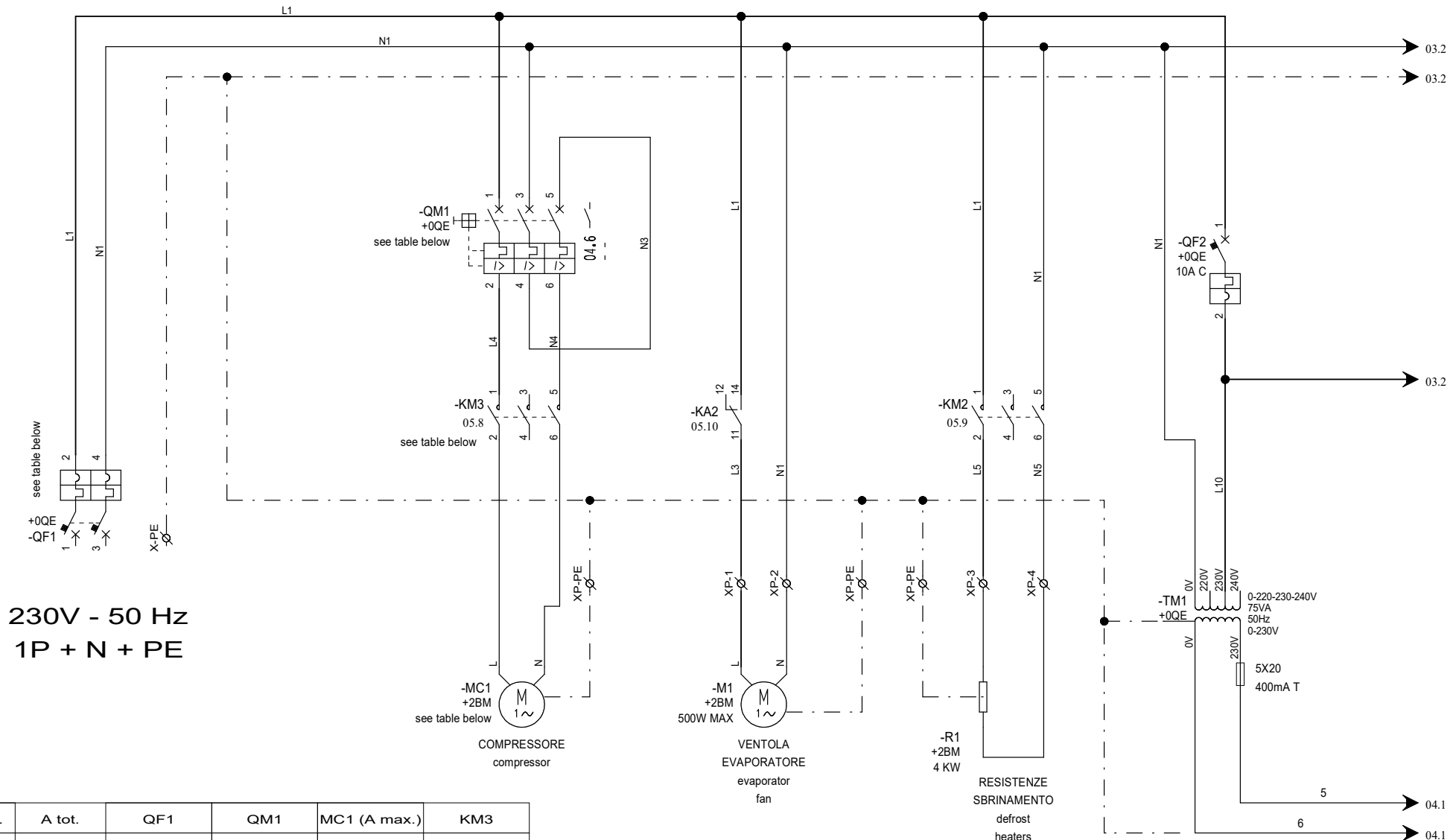
Verify compliance with the directives after any modification to the original electrical board configuration.

**Failure to follow these instructions will result in death or serious injury.**

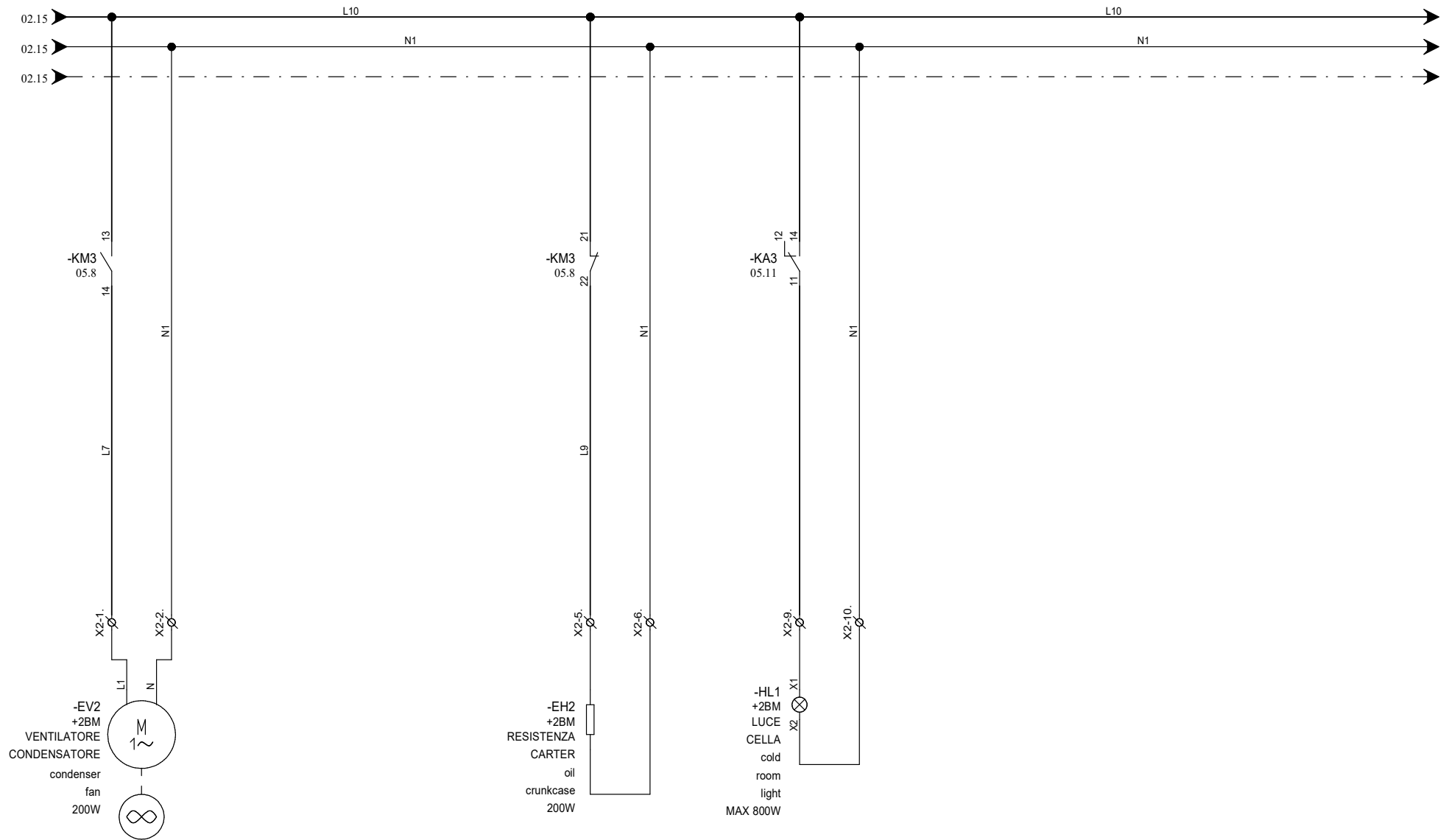
#### **RISCHIO DI SHOCK ELETTRICO, ESPLOSIONE O ARCO ELETTRICO**

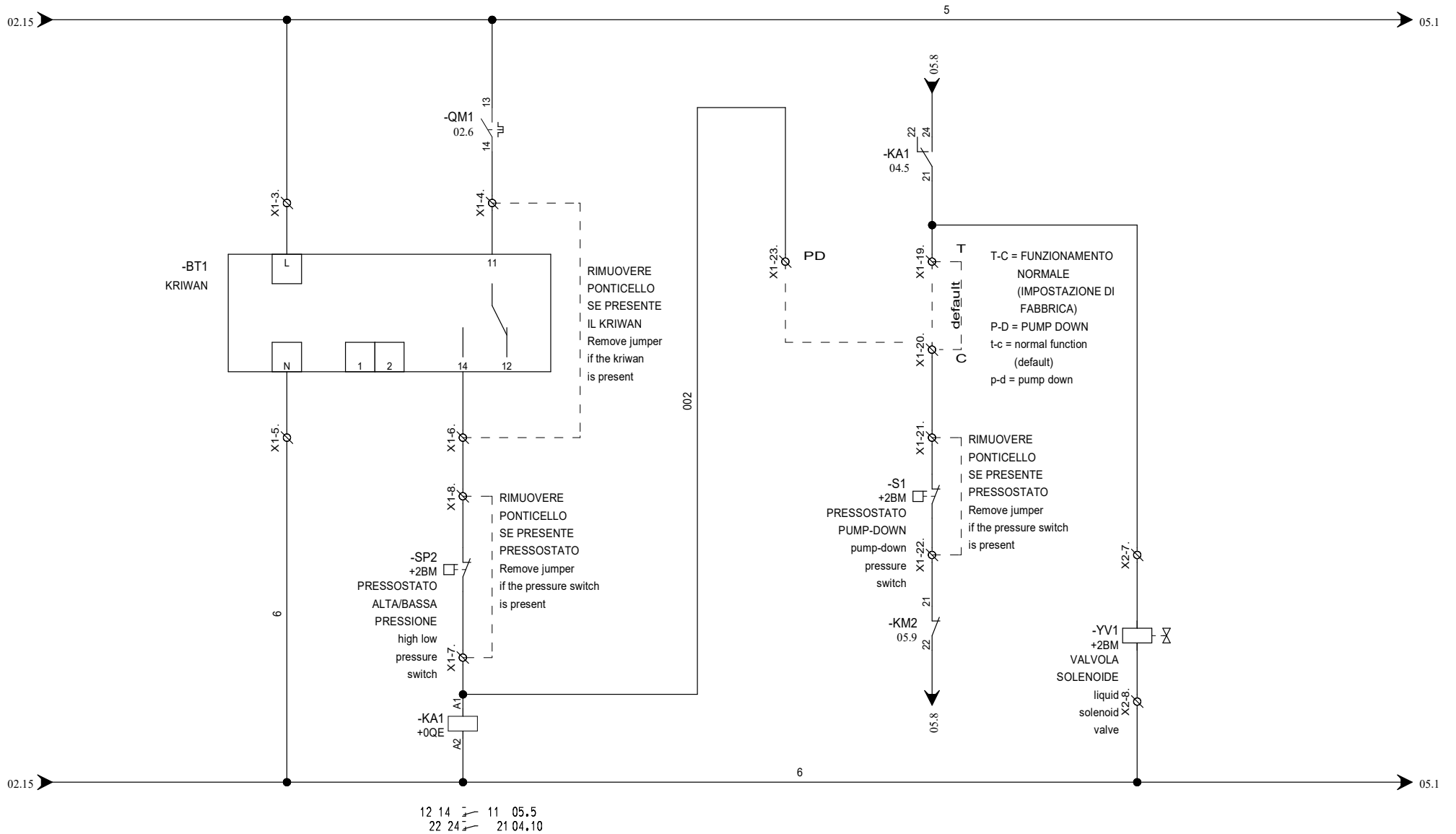
Verificare la conformità alle direttive dopo qualsiasi modifica alla configurazione originale del quadro elettrico.

**Il mancato rispetto di queste istruzioni provocherà morte o gravi infortuni.**

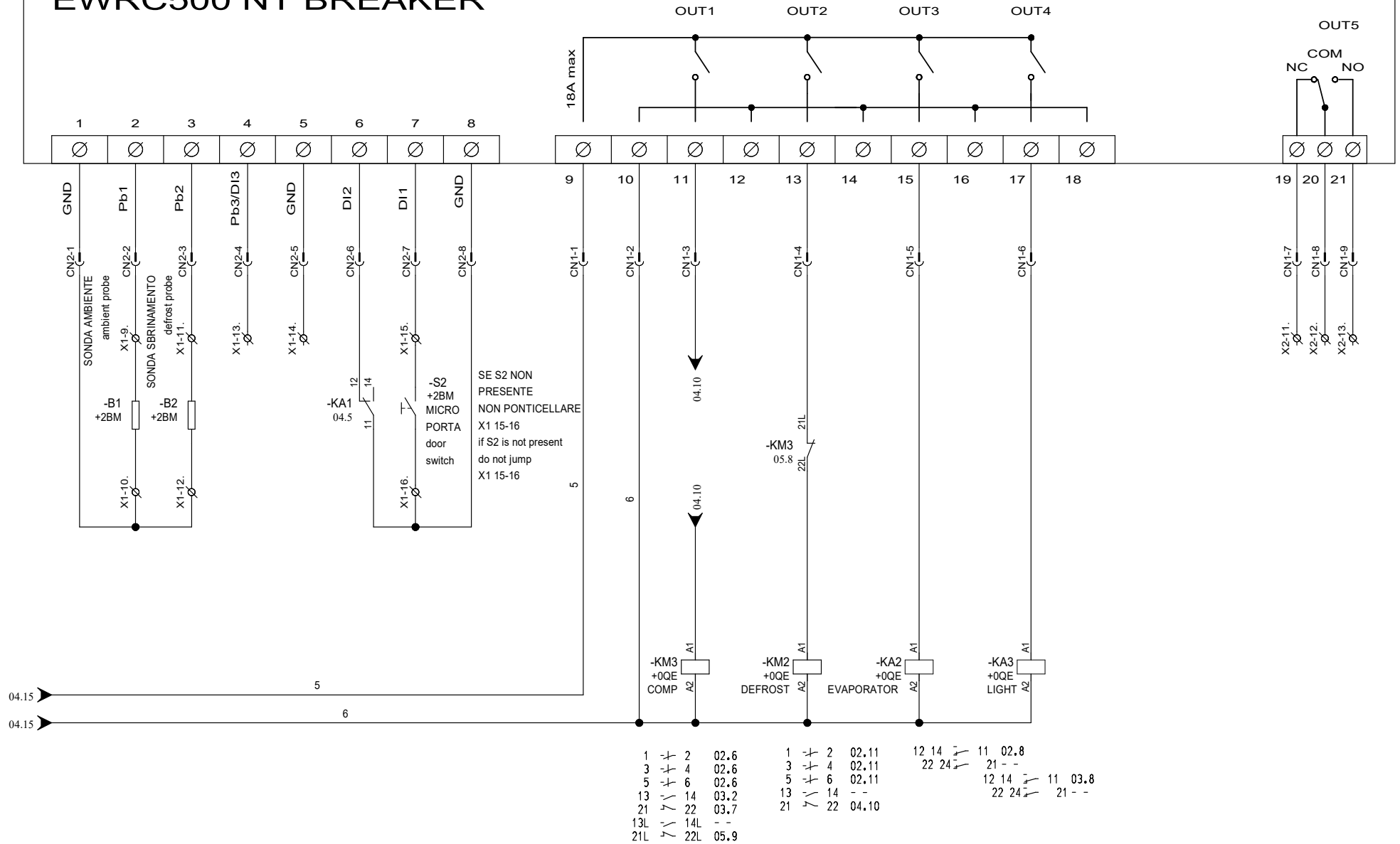


Mod.	A tot.	QF1	QM1	MC1 (A max.)	KM3
2	40A	A9F79240	21107	2.5-4 A	LC1D09P7
3	40A	A9F79240	21108	4-6.3 A	LC1D09P7
4	40A	A9F79240	21109	6-10 A	LC1D12P7
5	50A	A9F79250	21111	13-18 A	LC1D18P7

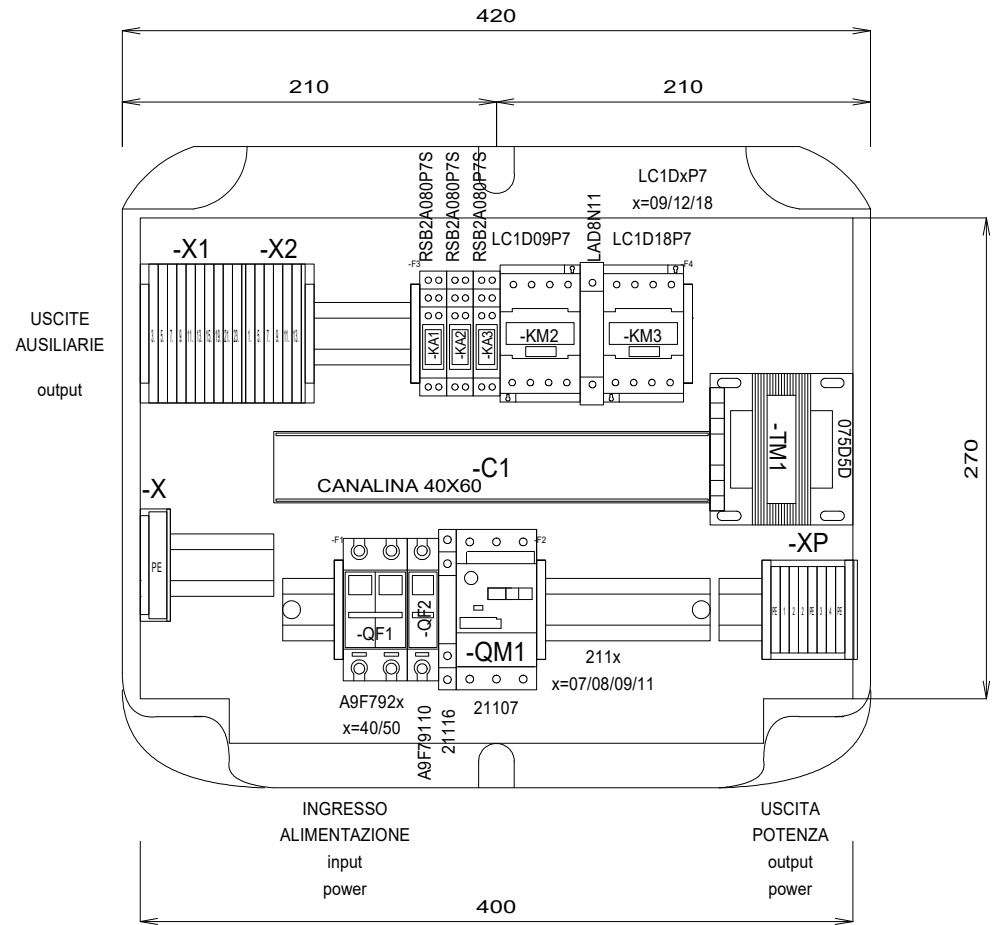
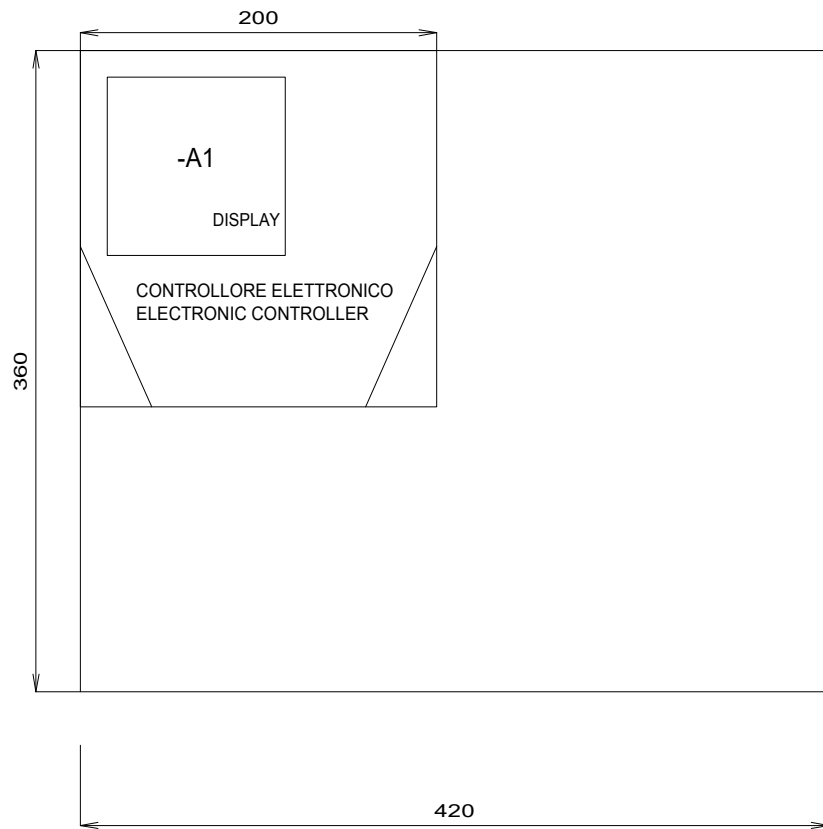




# EWRC500 NT BREAKER

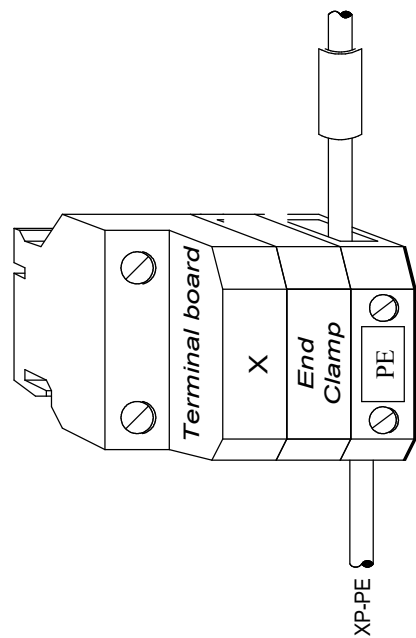


# Layout / Topografia



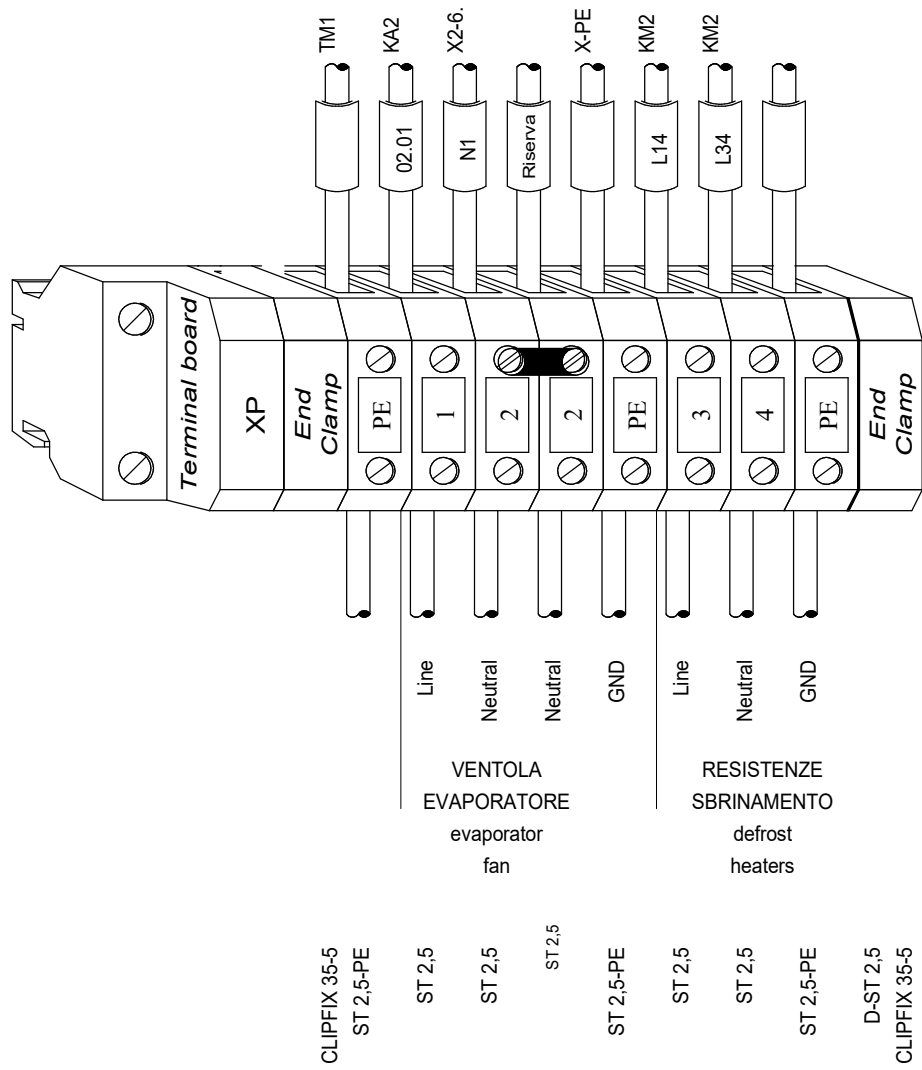


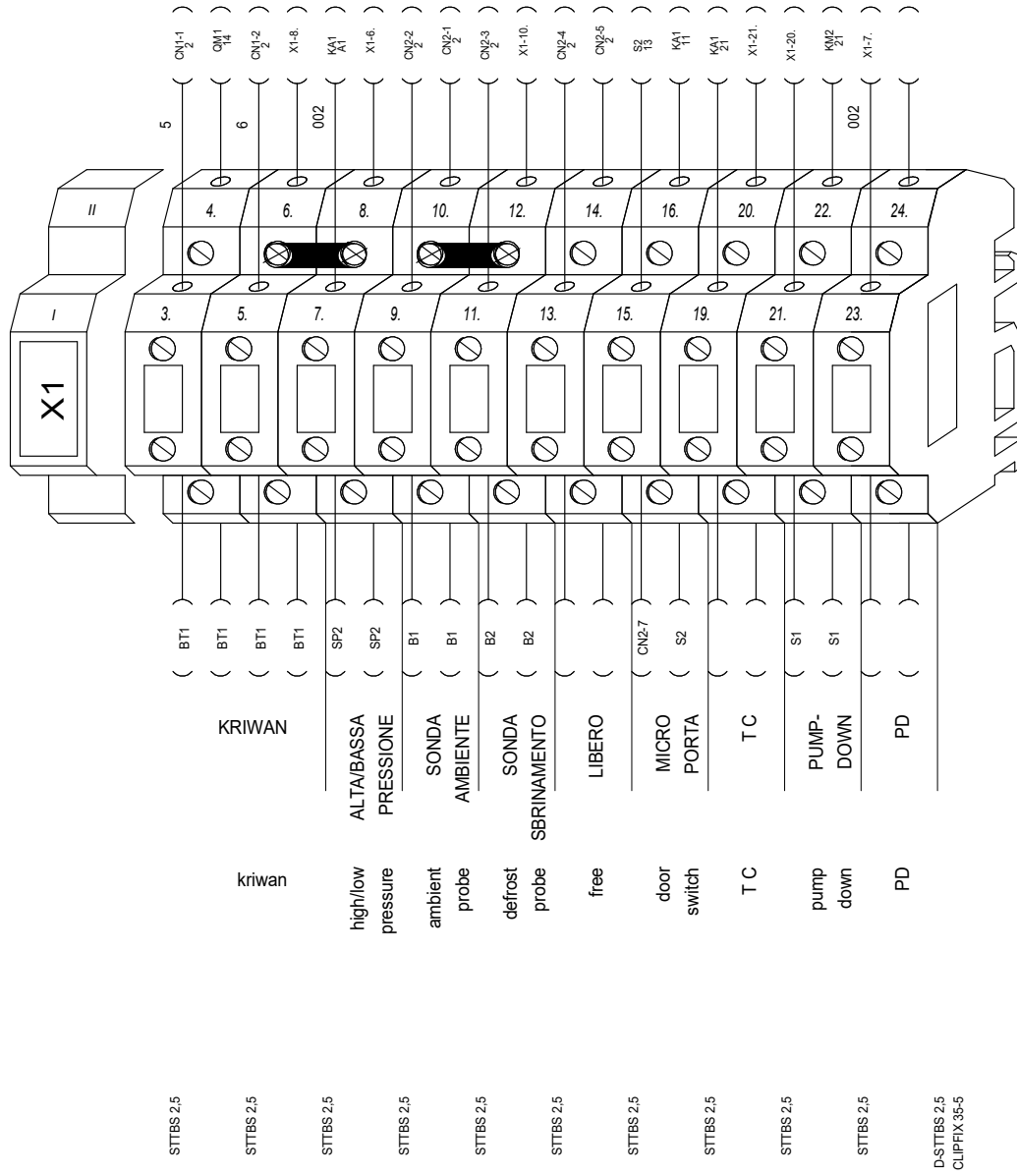
## Inputs and outputs terminal blocks / Morsettiere degli ingressi e delle uscite

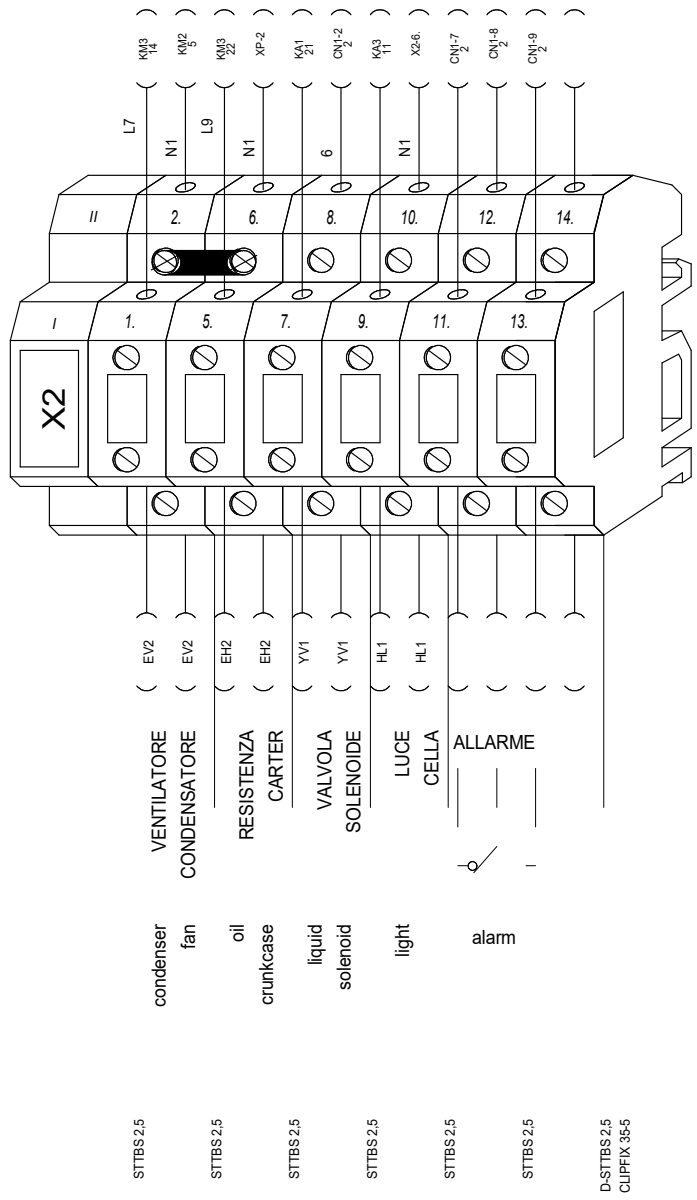


CLIPFIX 35-5  
UT10-PE

D-UT2,5/10







## Part List / Elenco materiali

DISTINTA MATERIALI / PART LIST							
Sigla / ID	Descrizione / Description	Codice / Code	Costruttore / Manufacturer	Loc. / Loc.	Q.tà / Q.ty	Note / Note	Pos. / Pos.
A1	CONTROLLORE ELETTRONICO / ELECTRONIC CONTROLLER	EWRC500NT	SCHNEIDER	0QE	1		05.1
C1	CANALINA 40X60 / CABLE RUN 40X60	04180081	CON	0QE	1		06.
G1	GUIDA DIN 35X7 FORATA / DIN BAR 35X7	04180089	CON	0QE	1		06.
G2	GUIDA DIN 35X7 FORATA / DIN BAR 35X7	04180089	CON	0QE	1		06.
G3	GUIDA DIN 35X7 FORATA / DIN BAR 35X7	04180089	CON	0QE	1		06.
G4	GUIDA DIN 35X7 FORATA / DIN BAR 35X7	04180089	CON	0QE	1		06.
KA1	RELE' 240VAC 2 SC / RELAIS 240VAC 2 SC	RSB2A080P7S	SCHNEIDER	0QE	1		04.5
KA2	RELE' 240VAC 2 SC / RELAIS 240VAC 2 SC	RSB2A080P7S	SCHNEIDER	0QE	1		05.10
KA3	RELE' 240VAC 2 SC / RELAIS 240VAC 2 SC	RSB2A080P7S	SCHNEIDER	0QE	1		05.11
KM2	CONTATTORE 9A AC3 230VAC / CONTACTOR 9A AC3 230VAC	LC1D09P7	SCHNEIDER	0QE	1		05.9
KM3	CONTATTORE xA AC3 230VAC / CONTACTOR xA AC3 230VAC	LC1Dx P7 (x=09/12/18)	SCHNEIDER	0QE	1	see page 2	05.8
KM3	CONTATTO AUSILIARIO LATERALE 1NO/1NC LATERAL AUXILIARY CONTACT 1NO/1NC	LAD8N11	SCHNEIDER	0QE	1		05.8
QF1	INT. AUT. / AUTOMATIC SWITCH MULTI9 C60N C xA 2P 10kA	A9F792x (x=40/50)	SCHNEIDER	0QE	1	see page 2	02.2
QF2	INT. AUT. / AUTOMATIC SWITCH MULTI9 C60N C 10A 1P 10kA	A9F79110	SCHNEIDER	0QE	1		02.13
QM1	PROTEZIONE MOTORE/ MOTOR PROTECTION P25M	211x (x=07/08/09/11)	SCHNEIDER	0QE	1	see page 2	02.6
QM1	CONTATTO AUSILIARIO LATERALE / LATERAL AUXILIARY CONTACT	21116	SCHNEIDER	0QE	1		02.6
TM1	TRASFORMATORE 75VA 0-220-230-240/0-230V TRANSFORMER 75VA 0-220-230-240/0-230V	075D5D	BOTTER	0QE	1		02.13

## DISTINTA MORSETTI / TERMINAL BOARD LIST

Sigla / ID	Descrizione / Description	Codice / Code	Costruttore / Manufacturer	Loc. / Loc.	Q.tà / Q.ty	Note / Note	Pos. / Pos.
X-F1-F2-F3-F4	CLIPFIX 35-5	3022276	PHOENIX	0QE	5		07.3
X-	D-UT2,5/10	3047028	PHOENIX	0QE	1		07.4
X1-	CLIPFIX 35-5	3022276	PHOENIX	0QE	1		09.2
X1-	D-STTBS 2,5	3038503	PHOENIX	0QE	1		09.8
X1-	CLIPFIX 35-5	3022276	PHOENIX	0QE	1		09.8
X1-11.	STTBS 2,5	3038464	PHOENIX	0QE	1		09.5
X1-13.	STTBS 2,5	3038464	PHOENIX	0QE	1		09.5
X1-15.	STTBS 2,5	3038464	PHOENIX	0QE	1		09.6
X1-19.	STTBS 2,5	3038464	PHOENIX	0QE	1		09.6
X1-21.	STTBS 2,5	3038464	PHOENIX	0QE	1		09.7
X1-23.	STTBS 2,5	3038464	PHOENIX	0QE	1		09.8
X1-3.	STTBS 2,5	3038464	PHOENIX	0QE	1		09.2
X1-5.	STTBS 2,5	3038464	PHOENIX	0QE	1		09.3
X1-7.	STTBS 2,5	3038464	PHOENIX	0QE	1		09.4
X1-9.	STTBS 2,5	3038464	PHOENIX	0QE	1		09.4
X2-	CLIPFIX 35-5	3022276	PHOENIX	0QE	1		10.6
X2-	D-STTBS 2,5	3038503	PHOENIX	0QE	1		10.6
X2-1.	STTBS 2,5	3038464	PHOENIX	0QE	1		10.2
X2-11.	STTBS 2,5	3038464	PHOENIX	0QE	1		10.4
X2-13.	STTBS 2,5	3038464	PHOENIX	0QE	1		10.5
X2-5.	STTBS 2,5	3038464	PHOENIX	0QE	1		10.3
X2-7.	STTBS 2,5	3038464	PHOENIX	0QE	1		10.3
X2-9.	STTBS 2,5	3038464	PHOENIX	0QE	1		10.4
XP-	CLIPFIX 35-5	3022276	PHOENIX	0QE	1		08.3
XP-	D-ST 2,5	3030417	PHOENIX	0QE	1		08.6
XP-	CLIPFIX 35-5	3022276	PHOENIX	0QE	1		08.6
XP-1	ST 2,5	3031212	PHOENIX	0QE	1		08.4
XP-2	ST 2,5	3031212	PHOENIX	0QE	1		08.4
XP-3	ST 2,5	3031212	PHOENIX	0QE	1		08.5
XP-4	ST 2,5	3031212	PHOENIX	0QE	1		08.5
X-PE	UT10-PE	3044173	PHOENIX	0QE	1		07.3
XP-PE	ST 2,5-PE	3031238	PHOENIX	0QE	1		08.3
XP-PE	ST 2,5-PE	3031238	PHOENIX	0QE	1		08.5
XP-PE	ST 2,5-PE	3031238	PHOENIX	0QE	1		08.6



**EWRC 5010/5030**

Hardware Guide - Attachments

Manuale d'istruzioni - Allegati

9MA10285 v. 1.0 EN/IT 10/17

© 2017 Eliwell Controls srl

**Eliwell Controls srl**

Via dell'Industria, 15 • Z.I. Paludi

32016 Alpago (BL) ITALY

T +39 0437 986 111

[www.eliwell.com](http://www.eliwell.com)

**Technical Support  
Supporto Tecnico Clienti**

T +39 0437 986 300

E [techsuppeliwell@schneider-electric.com](mailto:techsuppeliwell@schneider-electric.com)

**Sales / Ufficio commerciale**

T +39 0437 986 100 (Italy / Italia)

+39 (0) 437 986 200 (other countries / altri paesi)

E [saleseliwell@schneider-electric.com](mailto:saleseliwell@schneider-electric.com)