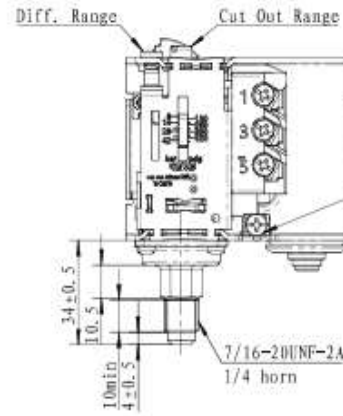
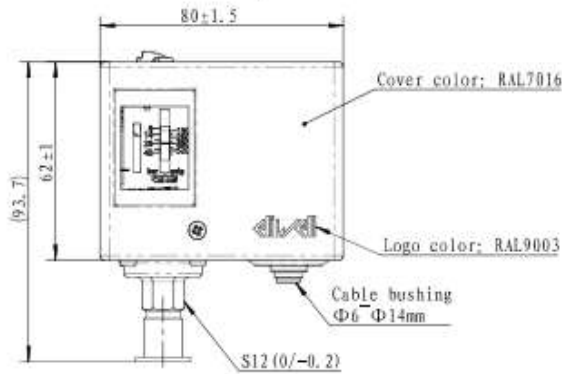
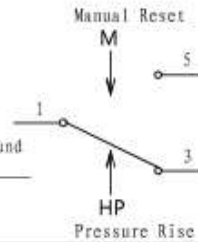


D16P45M02MS100



Contact Function:

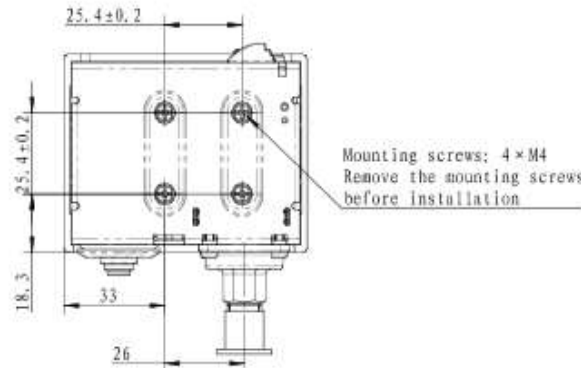
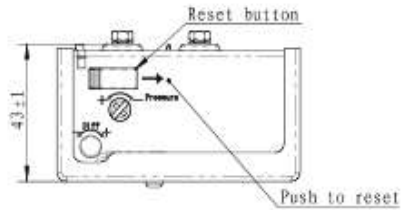


	D16P45M02MS100 D16P HP MAN PEDIPERR IV
	00035
	0071
TA: -30/65°C PS: 45bar Range: 8...42bar / 116...609psig Diff. Fix. Star / 72.5psi	RN-230629-14001 Made in China

Notes:

1. Refrigerant: R22, R134a, R404A, R407A, R407C, R407F, R422B, R422D, R438A, R448A, R449A, R507, R450A, R452A, R507A, R513A, R410A.
2. P.S. (Maximum working pressure): 45bar/652psig;
3. Valve leakage: ≤2.83g/a. at 45bar/652psig;
4. Burst pressure: >180bar/2610psig;
5. Contact resistance: <100mΩ;
6. Insulation resistance: ≥100MΩ (DC500V);
7. Dielectric strength: Withstand AC1968V×1s, leakage current ≤2mA, No dielectric breakdown or flashover;
8. Electric data:

	AC1	AC3	AC15	DC
Rated voltage (V)	400	400	400	24
Rated amps (A)	16	16	10	16
9. T.S. (Max. Allow Temperature):
Ambient: -30°C~+65°C, Fluid: -40°C~+120°C;
10. Protection rating: IP30;
11. Other performances following the 2014/68/EU, EN12263 standards;
12. Cut out and Cut in pressure gauges: Cut out-Diff. = Cut in.



Matters need attention:

1. The setting accuracy of Cut out pressure and Cut in pressure on the low and high side of the system should be measured and adjusted with a precise pressure gauge. The scale set on the product is an approximation only for reference.
2. When working, please use the grounding protection.
3. Cut out pressure on the low side must be higher than the absolute vacuum pressure (p_a = -1 bar)!
4. During installation, Pay attention not to connect the high-pressure (HP) part with the low pressure.
5. Do not replace installation screws of different lengths without authorization, so as to avoid affecting internal mechanism action or damaging internal structure.
6. When installing the controller, the joint and nut must be tightened with two wrenches.
7. When installing the outer cover of the controller, the outer cover shall be installed from top to bottom, and the tightening torque of the outer cover shall not be greater than 0.55N.m.

MODEL	Pressure range [bar]/[psig]	Diff. range [bar]/[psig]	Reset	Factory setting			
				Cut out [bar]/[psig]	Cut in [bar]/[psig]	Diff. [bar]/[psig]	Use terminals
D16P45M02MS100	8...42/ 116...609	Fix. 5/72.5	Manual	25 ± 0.5/ 363 ± 7	20 ± 0.5/ 290 ± 7	5 ± 0.5/ 72.5 ± 7	1-3

				Pressure Controller		D16P45M02MS100	
						Marks	Weight Ratio
						S	283.68 1:1.5
						Total	Page1
						<small>Chief Controller Co., Ltd. WuJiaBei Road No. 10, WuJiaBei Kunshan City, Jiangsu Province, China Eliwell Group Co., Ltd.</small>	